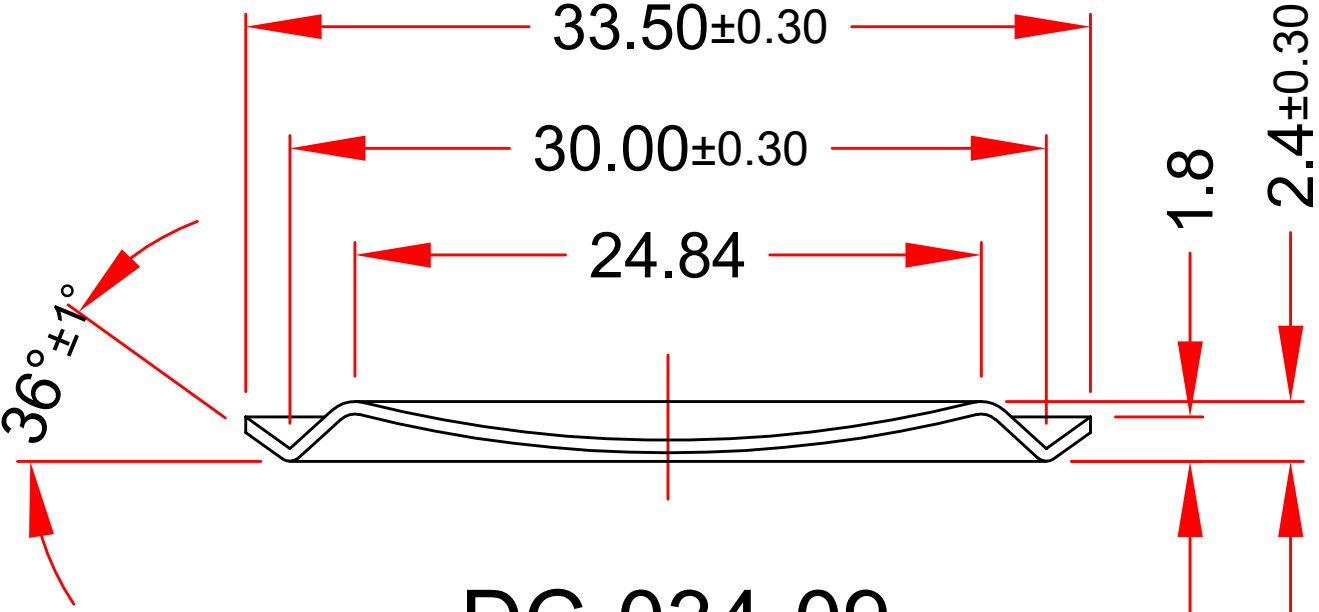
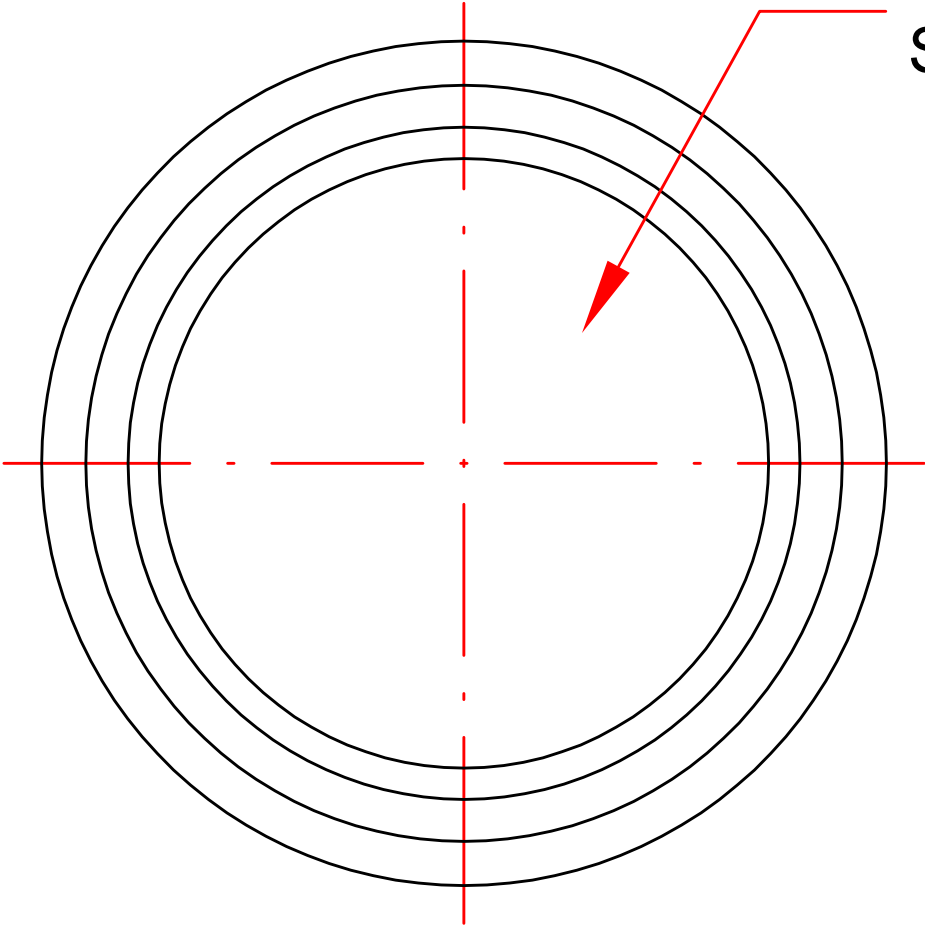


SMOOTH  
SURFACE



DC-034-09