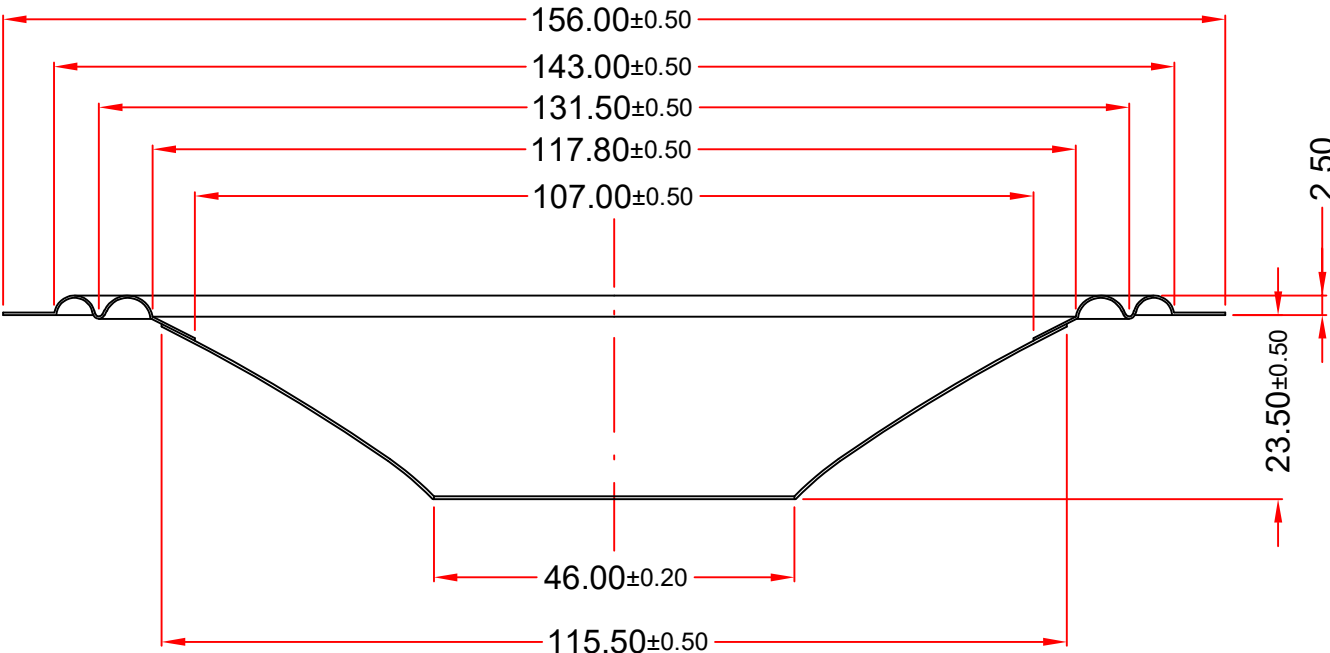
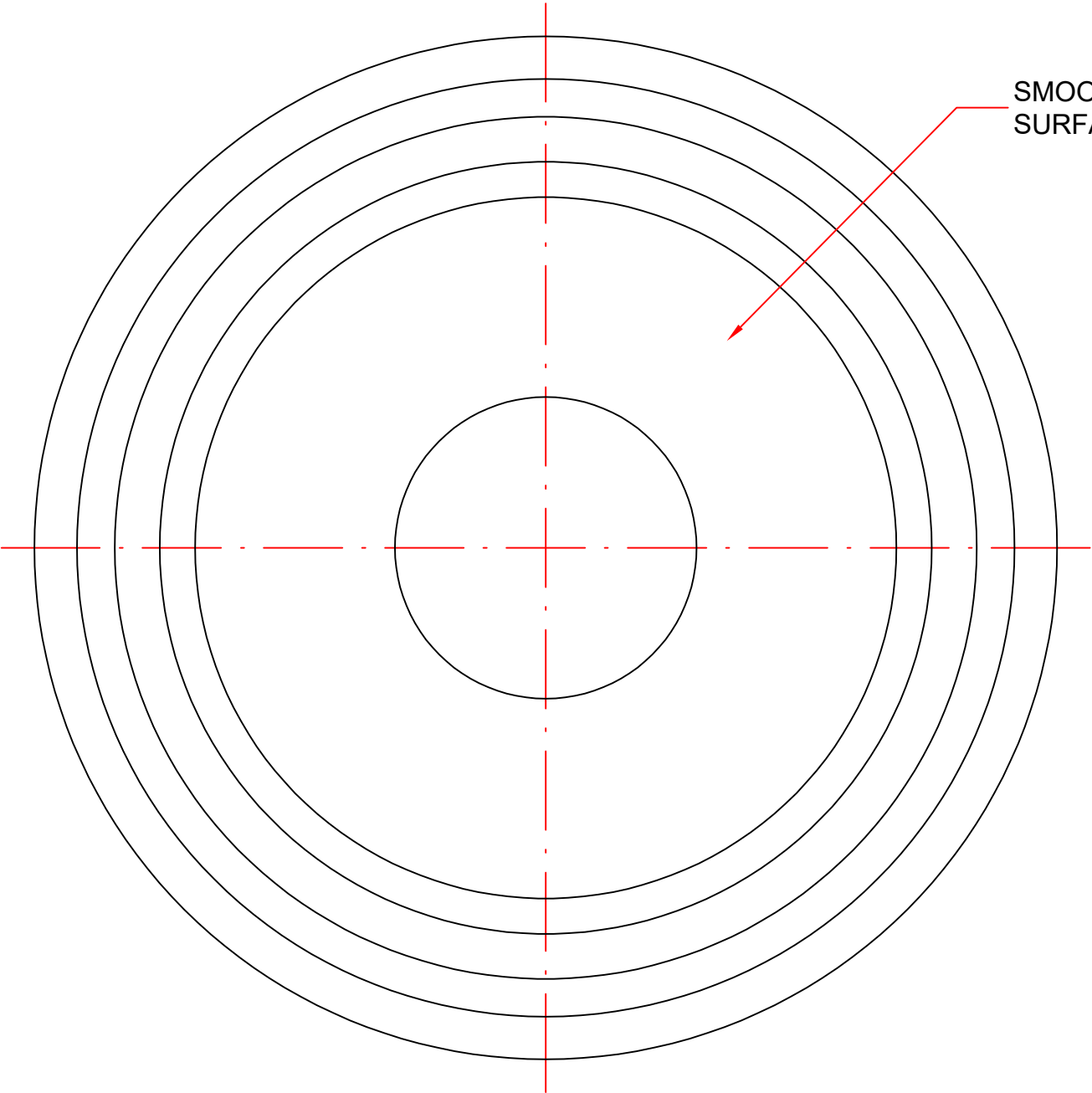


SMOOTH
SURFACE



PA-150K-04