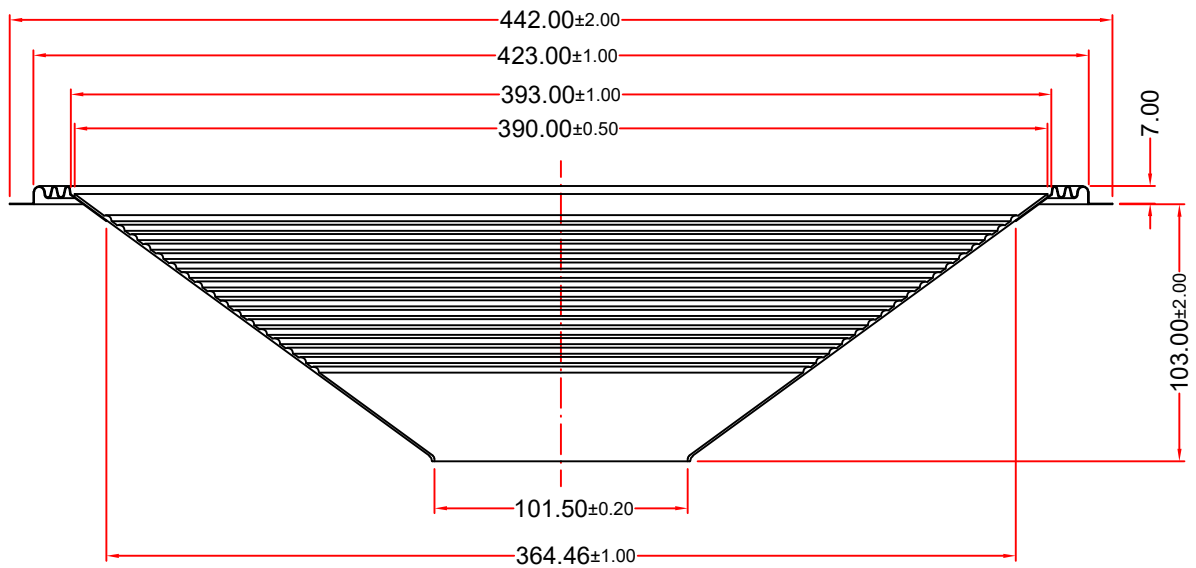


DOT SURFACE



PA-450S-25