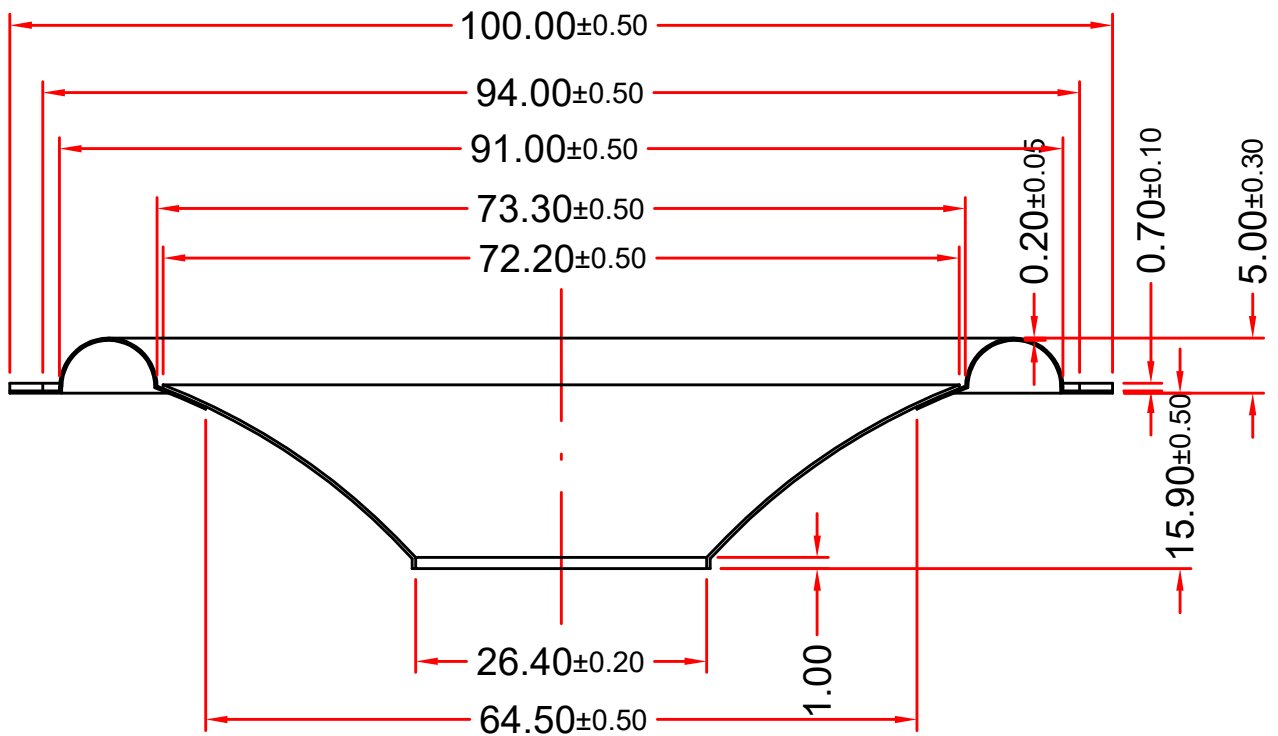
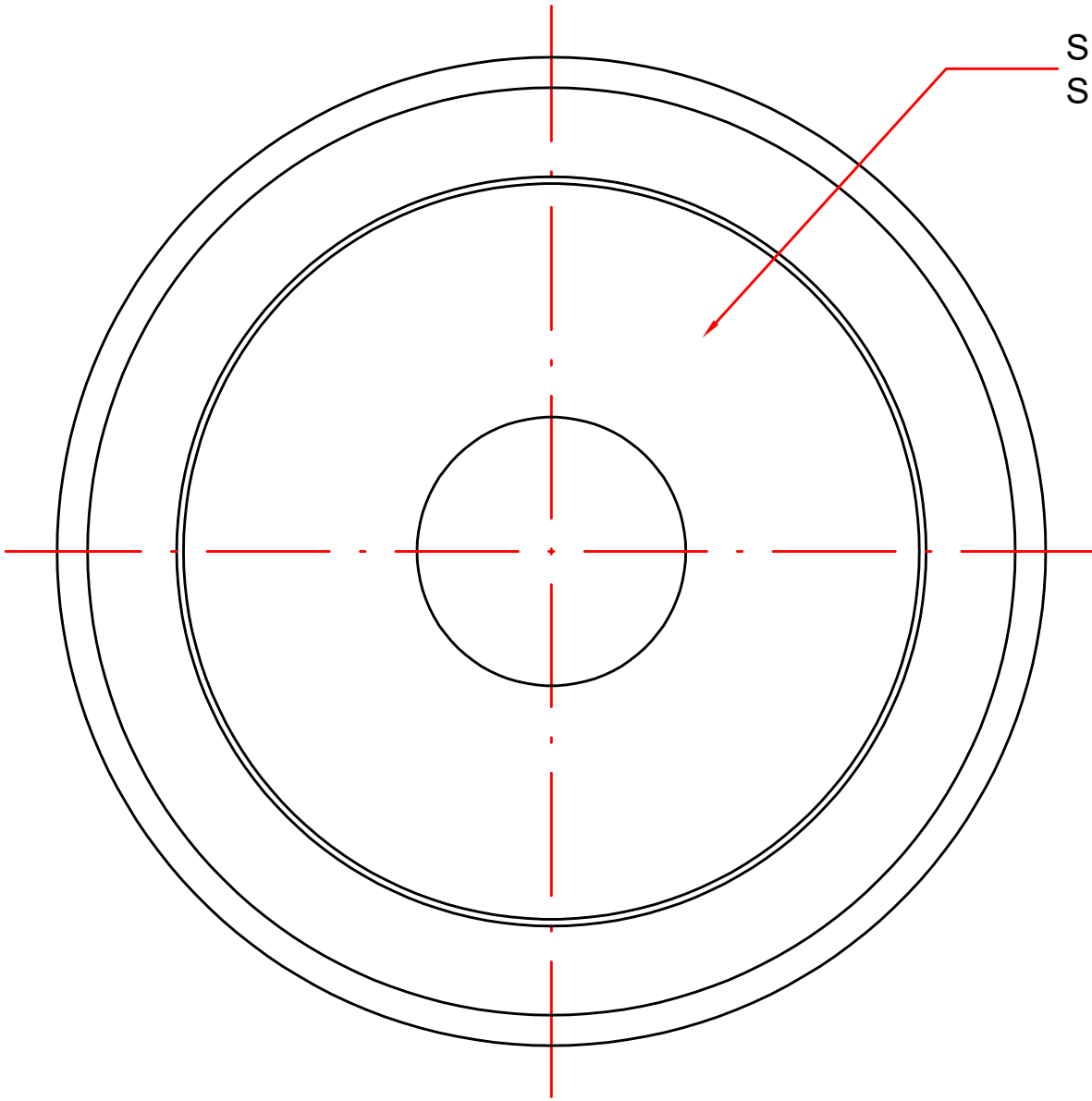


SMOOTH  
SURFACE



EX-100H-75